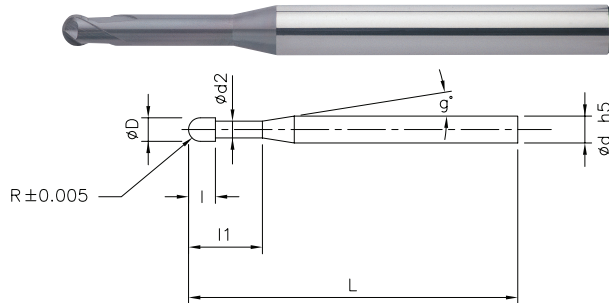


# MRBH230

## 2-Flute Long Neck Ball End Mill



- Design prevents chipping and resolves chattering issues for excellent surface finish and tool life
- **MUGEN Premium Coating**



All measurements in mm

Code No.	(R)Radius	(l1)Effective Length	(l)Length of Cut	(D)Dia.	(d2)Neck Dia.	(g)Neck Taper Angle	(d)Shank Dia.	(L)Overall Length
NS-08-00527-00302	0.3	2	0.45	0.6	0.56	12°	4	45
NS-08-00527-00304	0.3	3	0.45	0.6	0.56	12°	4	45
NS-08-00527-00306	0.3	4	0.45	0.6	0.56	12°	4	45
NS-08-00527-00401	0.4	2	0.6	0.8	0.76	12°	4	45
NS-08-00527-00402	0.4	3	0.6	0.8	0.76	12°	4	45
NS-08-00527-00403	0.4	4	0.6	0.8	0.76	12°	4	45
NS-08-00527-00404	0.4	5	0.6	0.8	0.76	12°	4	45
NS-08-00527-00501	0.5	3	0.75	1	0.95	12°	4	45
NS-08-00527-00502	0.5	4	0.75	1	0.95	12°	4	45
NS-08-00527-00503	0.5	5	0.75	1	0.95	12°	4	45
NS-08-00527-00504	0.5	6	0.75	1	0.95	12°	4	45
NS-08-00527-00751	0.75	4	1.1	1.5	1.45	12°	4	45
NS-08-00527-00753	0.75	6	1.1	1.5	1.45	12°	4	45
NS-08-00527-00755	0.75	8	1.1	1.5	1.45	12°	4	45
NS-08-00527-00757	0.75	10	1.1	1.5	1.45	12°	4	45
NS-08-00527-01002	1	4	1.5	2	1.94	12°	4	45
NS-08-00527-01004	1	6	1.5	2	1.94	12°	4	45
NS-08-00527-01006	1	8	1.5	2	1.94	12°	4	45
NS-08-00527-01008	1	10	1.5	2	1.94	12°	4	45
NS-08-00527-01010	1	12	1.5	2	1.94	12°	4	45
NS-08-00527-01502	1.5	8	2.5	3	2.85	12°	6	60
NS-08-00527-01504	1.5	12	2.5	3	2.85	12°	6	60
NS-08-00527-01506	1.5	16	2.5	3	2.85	12°	6	60
NS-08-00527-01508	1.5	20	2.5	3	2.85	12°	6	65
NS-08-00527-02002	2	10	3	4	3.8	12°	6	65
NS-08-00527-02004	2	15	3	4	3.8	12°	6	65
NS-08-00527-02006	2	20	3	4	3.8	12°	6	65
NS-08-00527-02008	2	25	3	4	3.8	12°	6	70
NS-08-00527-02501	2.5	15	3.5	5	4.8	12°	6	70
NS-08-00527-02502	2.5	20	3.5	5	4.8	12°	6	70
NS-08-00527-02503	2.5	25	3.5	5	4.8	12°	6	70
NS-08-00527-02504	2.5	30	3.5	5	4.8	12°	6	80
NS-08-00527-03002	3	20	6	6	5.8	12°	6	70
NS-08-00527-03003	3	25	6	6	5.8	12°	6	70
NS-08-00527-03004	3	30	6	6	5.8	12°	6	80
NS-08-00527-03005	3	40	6	6	5.8	12°	6	90
NS-08-00527-03006	3	50	6	6	5.8	12°	6	120