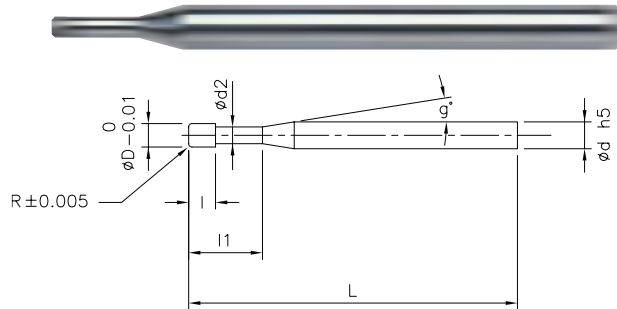


# SSR200

## CBN Super Speed Radius End Mill



- Highly efficient milling with radius flute
- CBN tip and micrograin carbide shank



All measurements in mm

Code No.	(D) Dia.	(R) Corner Radius	(l1) Effective Length	(l) Length of Cut	(d2) Neck Dia.	(g) Neck Taper Angle	(d) Shank Dia.	(L) Overall Length
NS-01-00490-05053	0.5	0.05	2.5	0.3	0.46	15°	4	48
NS-01-00490-05103	0.5	0.1	2.5	0.3	0.46	15°	4	48
NS-01-00490-10103	1	0.1	5	0.7	0.95	15°	4	50
NS-01-00490-10203	1	0.2	5	0.7	0.95	15°	4	50
NS-01-00490-10303	1	0.3	5	0.7	0.95	15°	4	50
NS-01-00490-15203	1.5	0.2	7.5	1	1.45	15°	4	53
NS-01-00490-15303	1.5	0.3	7.5	1	1.45	15°	4	53
NS-01-00490-20103	2	0.1	10	1.2	1.94	15°	4	53
NS-01-00490-20203	2	0.2	10	1.2	1.94	15°	4	53
NS-01-00490-20303	2	0.3	10	1.2	1.94	15°	4	53
NS-01-00490-20503	2	0.5	10	1.2	1.94	15°	4	53

### Terms and Conditions

#### Validity

The terms mentioned hereafter are valid for all orders. Any other terms are not valid if not expressly agreed upon in writing by Mikron.

#### Prices

Are given in US Dollars per piece, ex. works, Monroe, CT. Packing and transportation are not included.

#### Delivery

Standard tools will be delivered either from stock, or as per our order confirmation. Delivery of special tools will be confirmed with an order confirmation. Mikron will not be held responsible for costs or cancellation due to late deliveries.

#### Shipment

Ex. Works Mikron Corp. Monroe, excluding packaging, insurance and transportation.

#### Quantity

For special tools, the delivered quantity may vary  $\pm 10\%$ .

#### Complaints

Have to be made in writing within 8 days after receipt of goods. Mikron will either replace or credit any faulty tool at our discretion. We do not accept any further liability.

#### Payments

If not agreed upon otherwise, terms are net 30 days net in US dollars.

#### Modifications

Special tools will be produced according to the latest drawing in our possession. Any changes to the design are the responsibility of the customer.

#### Place of arbitration

Contract shall be interpreted and construed in accordance with all the laws of Connecticut. Place of jurisdiction is the State of Connecticut.

#### Price List effective as of September 1, 2007.

Mikron Corp. Monroe reserves the right to change any of the data contained herein at any time without prior notice. Mikron shall not be liable for any omissions or errors.

Please refer to the General Terms and Conditions.