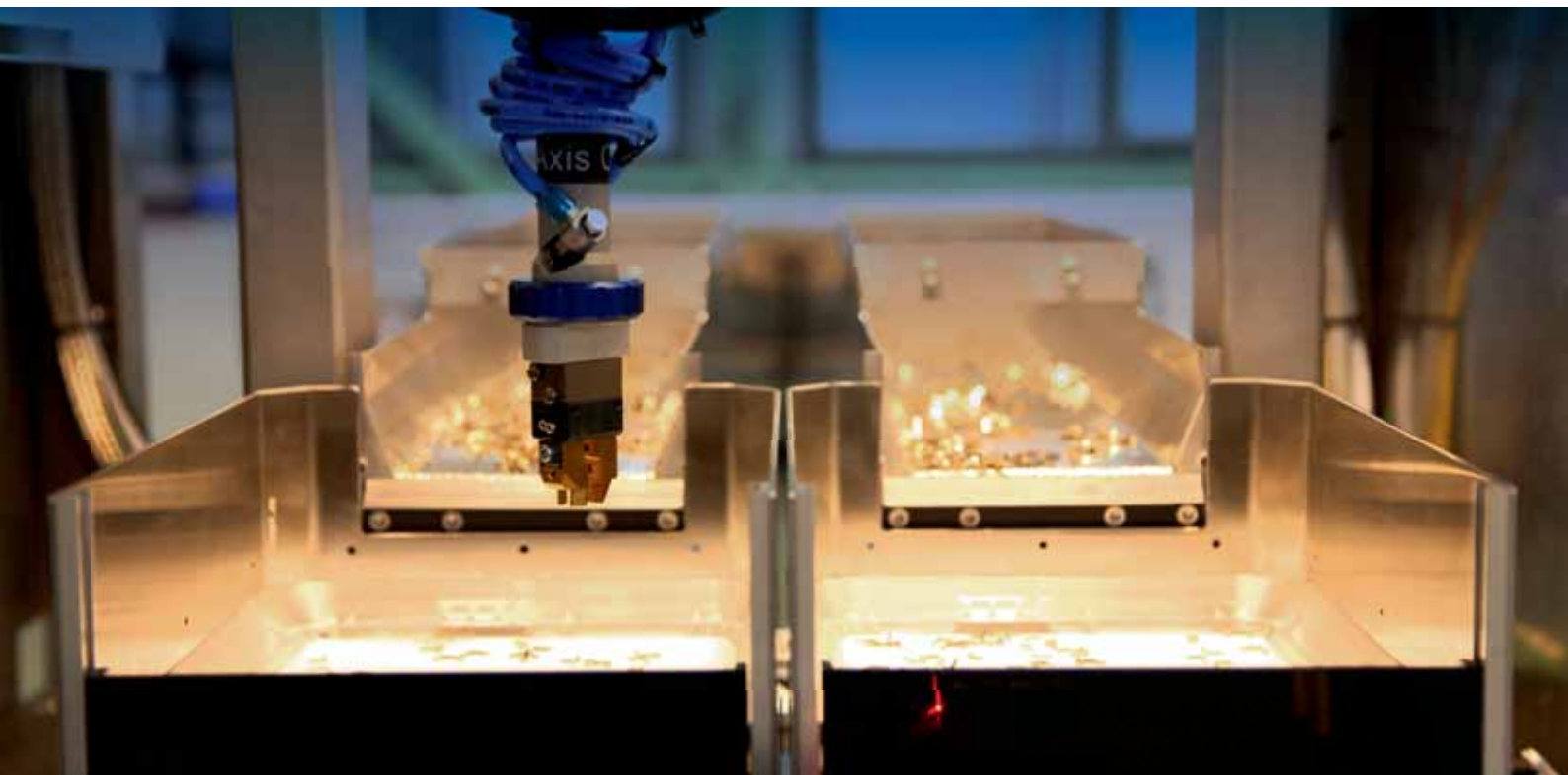




MIKRON POLYFEED™  
A solution for complex geometry  
components & multiple variants





COMPONENT FEEDING IS A MAJOR  
FACTOR IN PRODUCT ASSEMBLY. WHEN  
FACING **DIFFICULT PARTS** TO BE FED OR  
**MULTIPLE VARIANTS**, MIKRON HAS THE  
SOLUTION : POLYFEED

# MIKRON POLYFEED™

## A STANDARD FLEXIBLE FEEDING SOLUTION

With this third generation of Polyfeed, Mikron offers a flexible feeding system based on a unique patented vibration system coupled with industrial machine vision recognition and a 4-axis cartesian robot to feed virtually any part of various forms and dimensions. The Polyfeed is a perfect fit for Mikron's high performance assembly systems. Available in two versions, you can count on it for flexibility, short delivery time, reusability and speed.

The Polyfeed will be best used in applications where classical bulk feeding systems find limitations:

- Parts that are fragile or have a complex geometry
- Multiple variants requiring quick changeover
- Evolving component design

The feeding speed can reach 80 parts/min, depending on component design, with component sizes from 2 to 150 millimeters.

### YOUR BENEFITS

---

#### Part changeover flexibility

- Exchangeable selection plate for pre-orientation of the parts
- Teachable vision system
- Auto calibration of the vibration parameters

#### Easy handling of variants

- Variants are stored by the controller
- Only 2 minutes to bring a new variant into production

#### Short delivery time

- Fully standard
- Available from stock

#### High reusability

- More than 95% reusable (less investment)
- Specific tooling reduced to the minimum

#### Fast implementation

- Standard platform
- Fully standalone

#### Small footprint

- One Polyfeed can replace multiple bowl feeders
- Layout flexibility

#### A proven track record

- More than 120 machines installed since 1998, across a full range of industries from medical to consumer goods.
- One dedicated team delivers the full solution



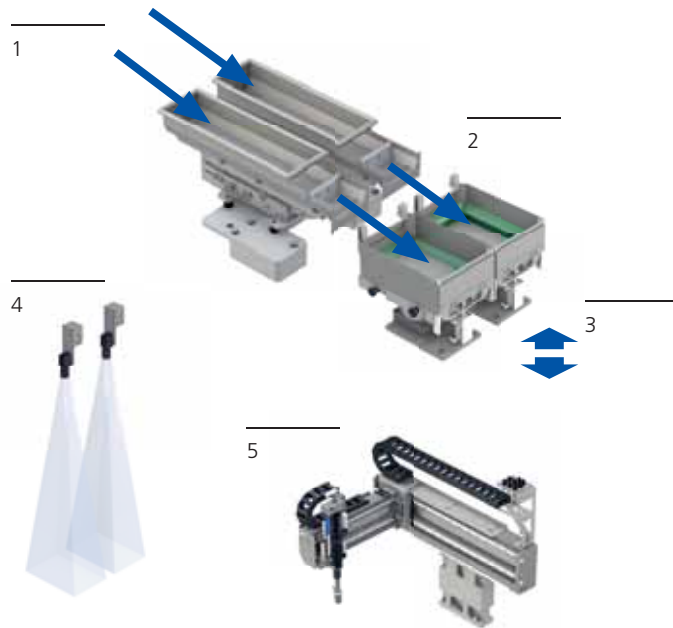
Mikron Polyfeed

### 5 REASONS TO WORK WITH MIKRON

---

1. Proven know-how – over 100 years of experience with precision machinery – close to 40 years in assembly
2. Reliable and technical production solutions with high added value – mastery of complex processes, standardized and proven automation platforms
3. Short delivery time – quicker time to market
4. Mikron worldwide organization is committed to your project success – from project fulfillment to 24/7 customer service
5. Long-term partnership – industry references

# RELIABLE, INNOVATIVE AND STANDARD SOLUTION FOR THE AUTOMATED FEEDING OF COMPONENTS



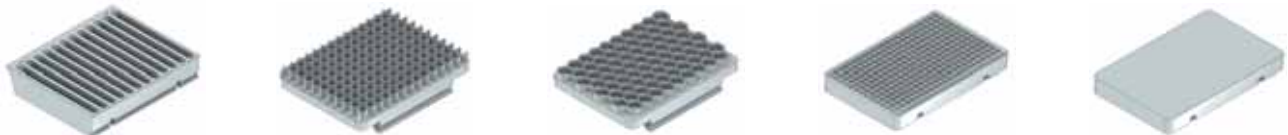
## FROM CHAOS TO ORDER IN 5 STEPS

1. Two different parts can be loaded in bulk into the buffer
2. Parts drop by vibration from buffer onto a selection plate
3. The selection plate is vibrated at specific frequencies and amplitudes to agitate the components.
4. A vision system inspects the components on the selection plate and identifies which are laying in a position suitable for being picked. The coordinates are sent to the 4-axis robot.
5. The robot picks all identified components placing them in the proper orientation to a part nest.

Operations are repeated alternately on two selection plates to ensure a non stop feeding.

## PRE-ORIENTATION OF THE COMPONENTS

The selection plate, designed to optimize the number of good pickable parts



## TECHNICAL SPECIFICATIONS

### Flexible part feeding system, vision auto-guided 4-axis robot

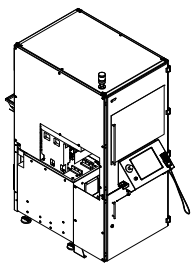
### STANDARD PLATFORMS

		160	240
Component size	Millimeters	2 to 50	5 to 150
Integration	Linked to assembly machine P&P via transfer conveyor or direct loading to pallets on main conveyor	✓	✓
Selection plate sizes	2 selection plates per Polyfeed (mm)	160 x 240	240 x 320
Assembly Speed	Up to 80 cycles/min (max speed linked with components design)	✓	✓
Dimensions	Width x Depth x Height (mm)	735 x 1720 x 2424	926 x 1900 x 2424
Control System	Industrial PC, real time software	✓	✓
Vision System	2x high resolution cameras, 4 standard lighting configuration, Cognex based vision algorithm	✓	✓
Cleanroom	Compatible for cleanroom ISO 7 (class 10,000)	✓	✓
Handling system	Embedded 4-axis Cartesian Robot	✓	✓
Accuracy	Millimeters	+/- 0.1	+/- 0.2

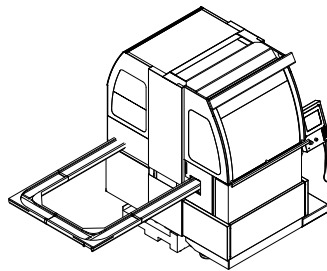
# POSSIBLE CONFIGURATIONS

The Polyfeed Standalone can be integrated to an assembly line in two ways :

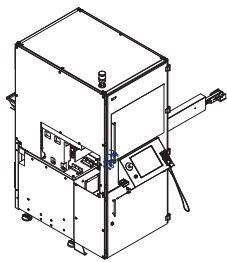
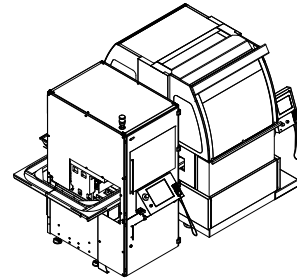
- Picked components are placed or assembled directly onto the assembly pallet that is indexed within the Polyfeed.
- Picked components are placed onto indexed pucks travelling on Mikron link system, which transfers the components to a station within the assembly cell for loading to the pallet.



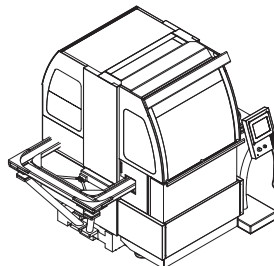
Mikron Polyfeed



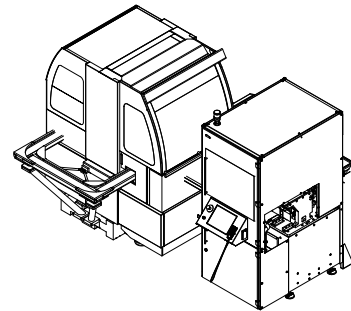
Mikron G05 1M



Mikron Polyfeed



Mikron G05 1M



# COMPONENTS THAT CAN BE PICKED WITH A POLYFEED

A single Polyfeed can handle multiple variants of a component or feed components with complex geometry

Multiple variants



Multiple variants



Multiple variants



Multiple variants



Complex geometry



## ABOUT US

Mikron Automation is headquartered in Boudry (Neuchâtel), in a region that is regarded as the heart of the Swiss watchmaking industry. To date, Mikron Automation has installed more than 3,000 assembly and testing systems worldwide. Its international customers operate in the following markets: Pharma and Medical Devices, Automotive Supply, Electrical/Electronics, Consumer Goods and Construction/Building. Mikron Automation employs around 590 people at its sites in Boudry (Switzerland, headquarters), Berlin (Germany), Denver (USA), Singapore and Shanghai (China).

Mikron SA Boudry  
Route du Vignoble 17  
2017 Boudry  
Switzerland

Tel. +41 32 843 11 11  
Fax +41 32 843 11 12  
mbo@mikron.com

Mikron Corp. Denver  
8100 S Potomac St.  
Englewood CO 80112  
USA

Tel. +1 303 364 5222  
mde@mikron.com

Mikron Berlin GmbH  
Landsbergerstrasse 252  
12623 Berlin  
Deutschland

Tel. +49 30 9830 7211  
mab@mikron.com

Mikron Singapore Pte Ltd  
61 Tai Seng Ave, #05-11  
Singapore 534167

Tel. +65 6299 1589  
msi@mikron.com

Mikron Industrial  
Equipment (Shanghai) Co., Ltd.  
No 358, 3rd Factory  
Dong Ye, Dong Jing Town,  
Song Jiang District  
Shanghai China 201619  
Tel. +86 21 6767 9681  
msh@mikron.com

[www.mikron.com/automation](http://www.mikron.com/automation)