



TRAY HANDLER™  
A flexible platform to fit diverse market needs



# THE MIKRON TRAY HANDLER™ – HIGH-PERFORMANCE AND MODULAR PLATFORM FOR MIKRON'S SOLUTIONS

Mikron supplies a highly standard tray handler capable of dealing with a range of applications from single tray to multiple stacks, for tray sizes from 200x300 to 400x600 mm. It's designed for parts that are susceptible to damage or contamination if fed using other

methods such as bowl feeders. The standard building blocks concept allows easy integration of additional in-tray process such as lid handling, inkjet printing, quality inspection.

## YOUR BENEFITS

### Flexible tray handling

- Tray size from 200x300mm to 400x600mm
- Tray quality from single tray handling to multi stack of tray
- Loading / unloading of trays
- Trolley feeding
- Tray rotation for compact stacking of empty trays
- Fully standalone

### Additional in-tray processes

- Lid handling
- Inkjet printing
- Quality inspection

### Short delivery time

- Fully standard
- Available from stock

### Part handling

- Rotation
- Pitch adjustment

### Adaptation to environmental constraints

- Pharma for clean room ISO 7 (class 10'000)
- Electronic signature CFR 21 part 11



Mikron Tray Handler

## TECHNICAL SPECIFICATIONS

### Flexible tray handling system

Integration	Linked to assembly machine via transfer conveyor or direct loading to pallets on main conveyor
Tray sizes	200x300mm and 400x600mm
Speed	One up 40 cycles/min
Dimensions	Width x Depth x Height (mm)
Loading	Ergonomic load height (mm)
Autonomy	Number of stacks in/out
Tray exchange time	2.5 sec
Control System	Industrial PC, real time software
Handling system	Embedded 4-axis Cartesian Robot
Accuracy	Millimeters
Cleanroom	Compatible for cleanroom ISO 7 (class 10,000)
Validation	Validated base machine according to GAMP 5

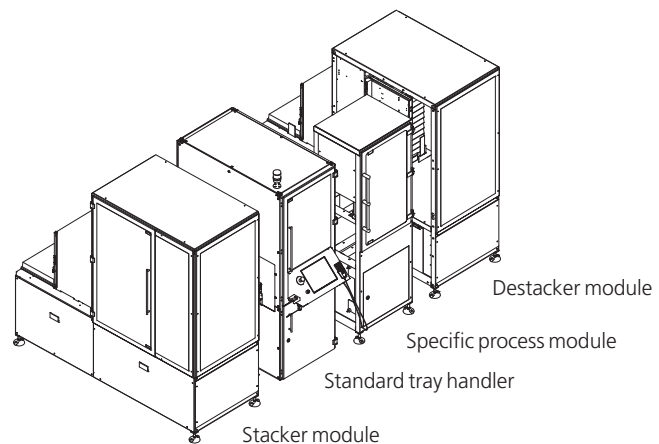
### STANDARD PLATFORMS

	SINGLE STACK	MULTI STACK
	✓	✓
	✓	✓
	✓	✓
	1700 x 2424 x 2300	2500 x 2424 x 2300
	1100	800-1100
	1/1	3/3
	✓	✓
	✓	✓
	✓	✓
	+/- 0.05	+/- 0.05
	✓	✓
	✓	✓

# THE MIKRON TRAY HANDLER WAS DESIGNED WITH A MODULAR CONCEPT TO MEET THE VARIOUS DEMANDS REQUIRED IN TODAY'S AUTOMATION MARKET

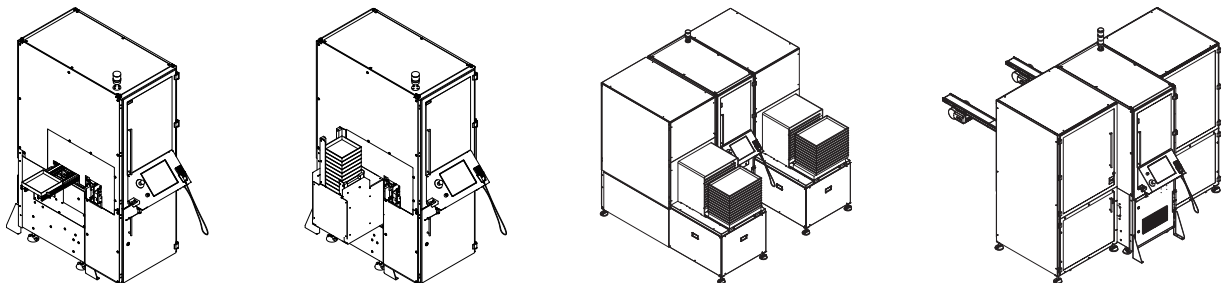
## MODULAR INTEGRATION

The modular concept allows flexibility by adding different types of entrance or exit modules when specific processes are required



## POSSIBLE CONFIGURATIONS

Mikron supplies a highly standard tray handler capable of dealing with a range of applications from single tray to multi stack and designed for parts that are susceptible to damage or contamination if fed using other methods such as bowl feeders.



## 5 REASONS TO WORK WITH MIKRON

1. Proven know-how – over 100 years of experience with precision machinery – close to 40 years in assembly
2. Reliable and technical production solutions with high added value – mastery of complex processes, standard and proven automation platforms
3. Short delivery time – quicker time to market
4. Mikron worldwide organization is committed to your project success – from project fulfillment to 24/7 customer service
5. Long-term partnership – industry references

## ABOUT US

Mikron Automation is headquartered in Boudry (Neuchâtel), in a region that is regarded as the heart of the Swiss watchmaking industry. To date, Mikron Automation has installed more than 3,000 assembly and testing systems worldwide. Its international customers operate in the following markets: Pharma and Medical Devices, Automotive Supply, Electrical/Electronics, Consumer Goods and Construction/Building. Mikron Automation employs around 590 people at its sites in Boudry (Switzerland, headquarters), Berlin (Germany), Denver (USA), Singapore and Shanghai (China).

Mikron SA Boudry  
Route du Vignoble 17  
2017 Boudry  
Switzerland

Tel. +41 32 843 11 11  
mbo@mikron.com

Mikron Corp. Denver  
8100 S Potomac St.  
Englewood CO 80112  
USA

Tel. +1 303 364 5222  
mde@mikron.com

Mikron Berlin GmbH  
Landsbergerstrasse 252  
12623 Berlin  
Deutschland

Tel. +49 30 9830 7211  
mab@mikron.com

Mikron Singapore Pte Ltd  
61 Tai Seng Ave, #05-11  
Singapore 534167

Tel. +65 6299 1589  
msi@mikron.com

Mikron Industrial  
Equipment (Shanghai) Co., Ltd.  
No 358, 3rd Factory  
Dong Ye, Dong Jing Town,  
Song Jiang District  
Shanghai China 201619  
Tel. +86 21 6767 9681  
msh@mikron.com

[www.mikron.com/automation](http://www.mikron.com/automation)